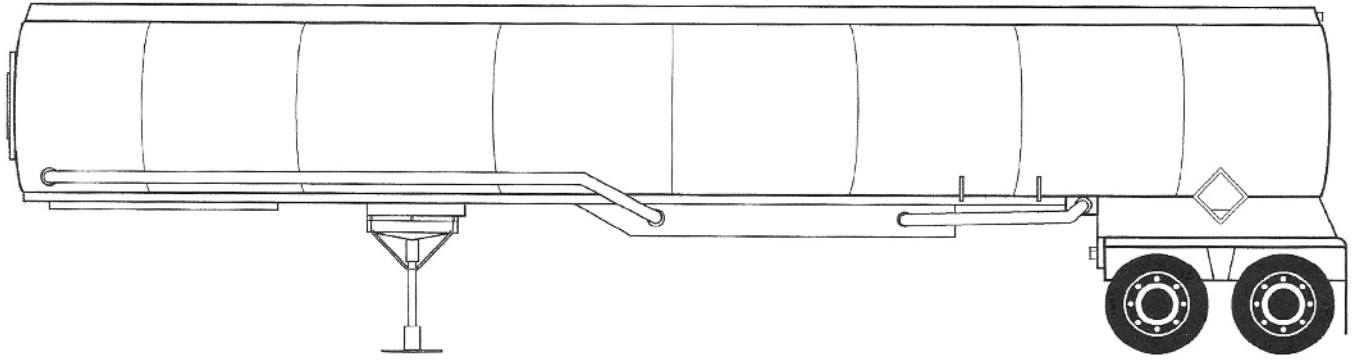


# Tanker



## Standards

Lengths: 40, 42, 43, 45, 48, 53 feet

Widths: 96-102 inches

Heights: 12-13.5 feet

Bulkheads: 1-7

Commodities hauled can include: Oil, gas, liquid sweetener

## Options & Features

Center unload

Rear unload

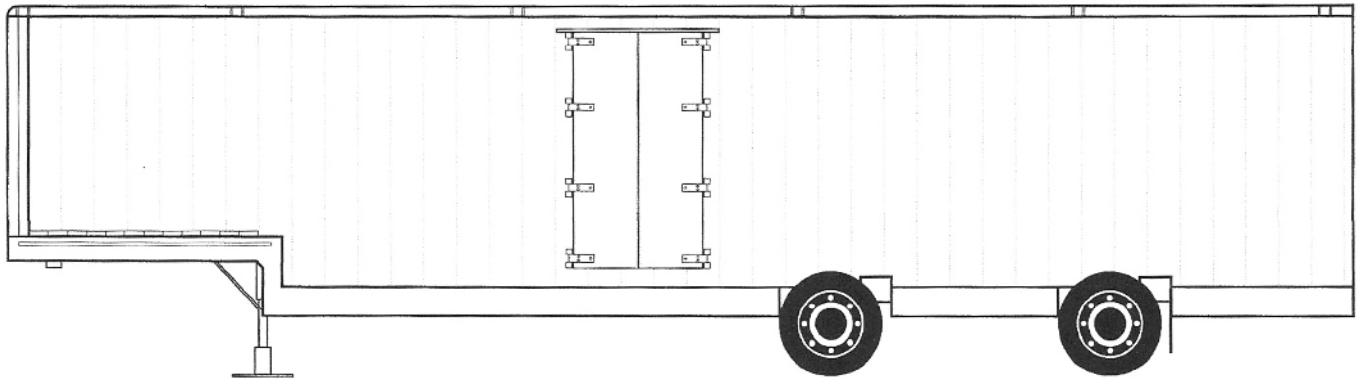
Insulated

Non-insulated (skin)

## Capacity

Max Volume 53': 3,000-9,000 gallons

# Drop Deck/eVan



## Standards

Lengths: 45, 48, 53 feet

Widths: 96-102 feet

Heights: 13.5 feet

Commodities hauled can include: Electronics, furniture, water heaters

## 53' Dimensions

Width: 102 inches

Height: 13.5 feet

## Capacity

Max Volume 53': 4,400 feet<sup>3</sup>

