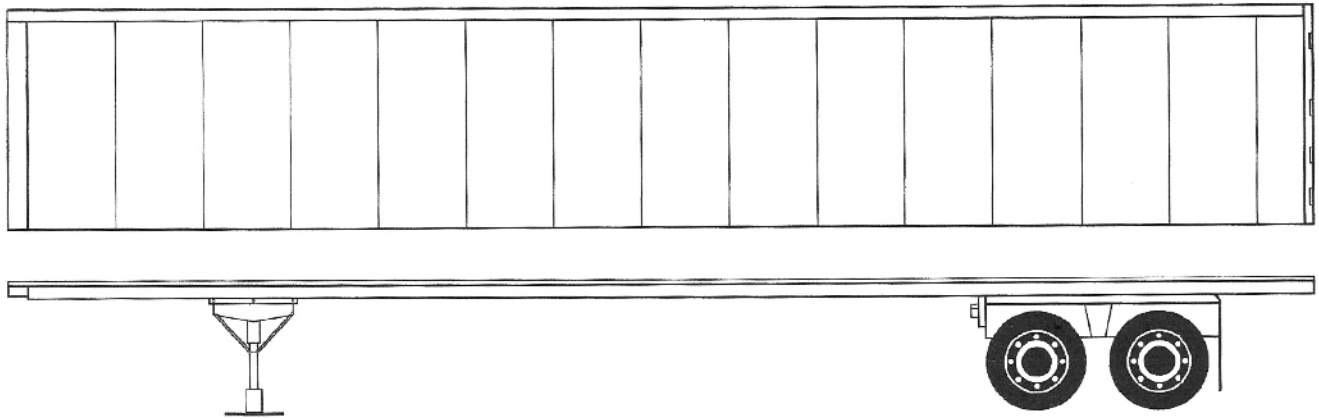


Containers

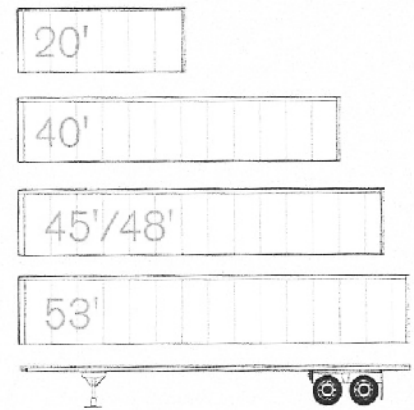


Standards

Container Lengths: 20, 40, 45, 48, 53 feet

Widths: 98-102 inches

Heights: 8.5-9.5 feet



	20'	40'	40'	45'	48'	53'
Overall Length	19'10"	40'0"	40'0"	45'	48'	53'
Inside Length	19'4"	39'6"	39'6"	44.6'	47.6'	52.3"
Overall Height	8'6"	8'6"	9'6"	9'6"	9'6"	9'6"
Inside Height	7'9"	7'10"	8'10"	8'10"	8'10"	8'10"
Door Opening	7'6" H	7'6" H	8'6" H	8'6" H	8'6" H	8'10" H
	7'8" W	7'8" W	7'8" W	7'8" W	8'2" W	8'2" W
Overall Width	8'0"	8'0"	8'0"	8'0"	8'6"	8'6"
Inside Width	7'8"	7'8"	7'8"	7'8"	8'2"	8'2"
Capacity	1,170 ft ³	2,390 ft ³	2,700 ft ³	3,000 ft ³	3,480 ft ³	3,800 ft ³

